

LABBEASY

LABBEASY

Newspaper Christmas Decorations

20 sets of instructions for making Christmas decorations out of recycled paper

LABBEASY



LABBEASY

LABBEASY

PDF 4150-EN

LABBEASY

Newspaper Christmas Decorations

Overview	Page 3	Cut-out Paper Chain	Page 14
Five-pointed Star	Page 4	Threaded Motifs	Page 15
Folded Christmas Tree	Page 5	Old-school Bauble	Page 16
Six-pointed Star	Page 6	Layered Christmas Tree	Page 17
Tassel Pendant	Page 7	Diamond Star	Page 18
Strip Bauble	Page 8	Folded Star	Page 19
Eight-pointed Star	Page 9	Star Pendant	Page 20
Heart Bag	Page 10	Folded Circle	Page 21
Birds	Page 11	Four-pointed Star	Page 22
Double Star	Page 12	Spinning Star	Page 23
Mini Gift Bags	Page 13		

PRINT SETTINGS

Please use Acrobat Reader to print and make sure that the settings 'Actual size' and 'Auto portrait/landscape' are selected.

SAVE PAPER & TONER

Only print out the pages you need.

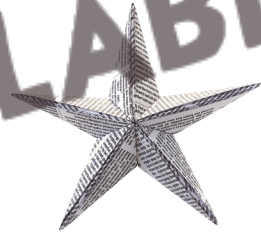
COPYRIGHT & LICENCE

This material is protected by copyright. Labbé holds exclusive rights. © Labbé Publishing

This PDF file may only be used by the original purchaser and is intended for personal use and teaching. Distribution of the PDF file to school staff or to parents and students is not permitted. It is also not permitted to make it available on the internet or to place it on a school server. It is prohibited to use the PDF file, printouts of the PDF file, and objects created from it for commercial purposes. For more information, visit www.labbeasy.com

OVERVIEW

Newspaper Christmas Decorations



Five-pointed Star



Folded Christmas Tree



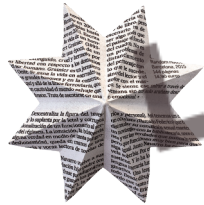
Six-pointed Star



Tassel Pendant



Strip Bauble



Eight-pointed Star



Heart Bag



Bird



Double Star



Mini Gift Bag



Cut-out Paper Chain



Threaded Motifs



Old-school Bauble



Layered Christmas Tree



Diamond Star



Folded Star



Star Pendant



Folded Circle



Four-pointed Star



Spinning Star

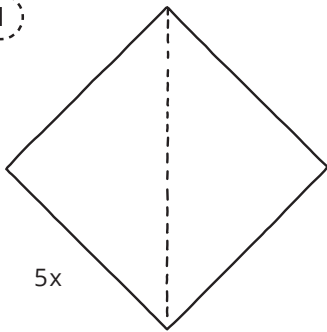
FIVE-POINTED STAR

LABBEASY



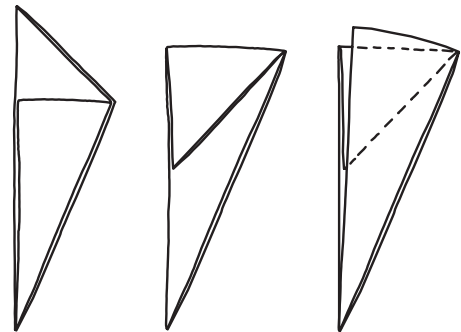
HOW TO DO IT

1



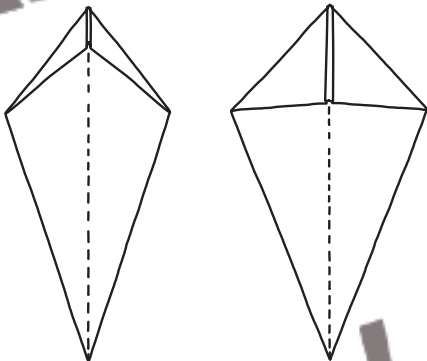
Cut out five squares measuring 4x4 inches (10x10 cm). Fold each square diagonally and unfold them again. Fold the left and right corners in towards the center line. Press down the edges.

2



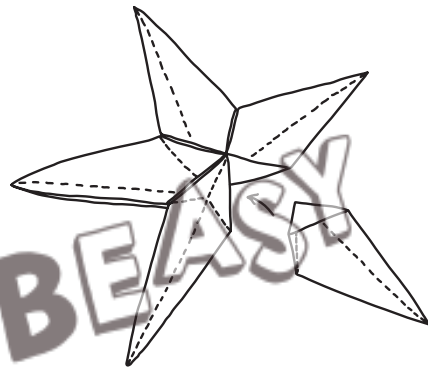
Fold the kite shape in the middle so that the flaps are on the outside. Fold the tip down, open the flap beneath it and slide the tip underneath.

3



Open the star point from behind, pulling the tip you just folded down under the flap halfway up. Now fold this inwards and press down the edges! Fold four more star points in the same way.

4



Put glue on the small surfaces of each point and stick them together. When sticking together be sure that the tips meet and the reverse side looks nice and neat.

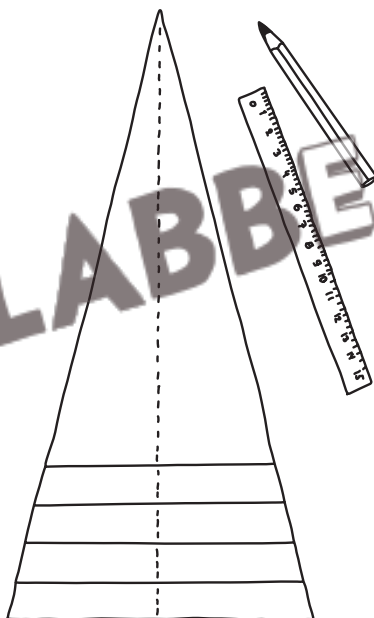
FOLDED CHRISTMAS TREE

LABBEASY



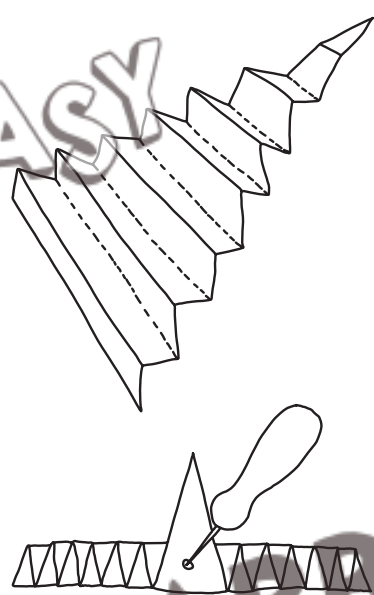
HOW TO DO IT

1



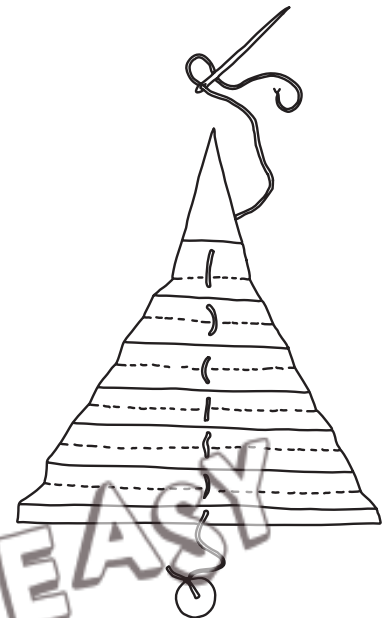
Draw a triangle measuring 5x10 inches (12x24 cm). A center line is useful when you do this. Starting at the bottom, draw four horizontal lines at a distance of 1/2 inch (1.5 cm).

2



Cut out the triangle. Fold it like an accordion in 1/2 inch (1.5 cm) strips all the way to the tip. Make a hole with a bradawl.

3



Tie a bead onto the end of a piece of cotton. Thread the string through all the holes using a needle. Makes a pretty tree or gift decoration.